

# INTEGRATED CONNECTOR MODULES

## 10/100Base-TX AutoMDIX belMag™ with LEDs

BM01807

Single port shielded RJ45 connector with integrated 10/100 megabits

Compatible with a variety of 10/100 transceiver modules

Operating temperature 0 to 70

Storage temperature 40 to 85

Design supports auto MDIX applications

Complies with IEEE standards and all 10/100 Ethernet specifications including 350 ohm with 8m D cables

Integrated design conserves valuable board space

Minimum interwinding crosstalk > 1500 rms

Data rate modular design provides higher reliability

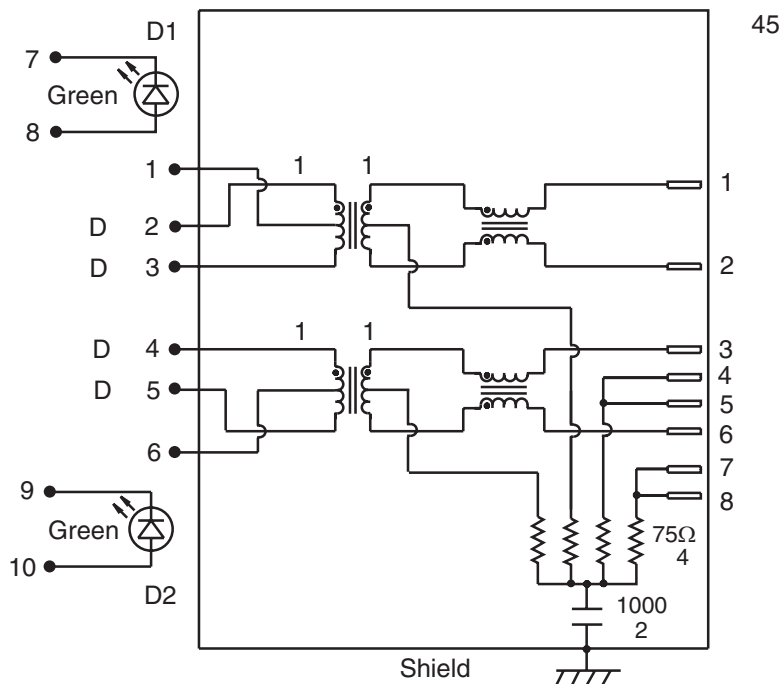
Reduced in count or improved crosstalk and optimum PCB trace routing

### ELECTRICAL SPECIFICATIONS AT 25° C

Part Number	Insertion Loss dB max	Return Loss dB min				Common to Differential Mode Rejection dB min	Common to Common Mode Rejection dB min	Crosstalk dB min			
		1MHz to 100MHz	1MHz to 30MHz	30MHz to 60MHz	60MHz to 80MHz			100kHz to 100MHz	1MHz	30MHz	50MHz
0810-1G1-06	1.0	18	18-20 to 30	12	40	30	70	45	40	35	

### SCHEMATIC

0810-1G1T-06



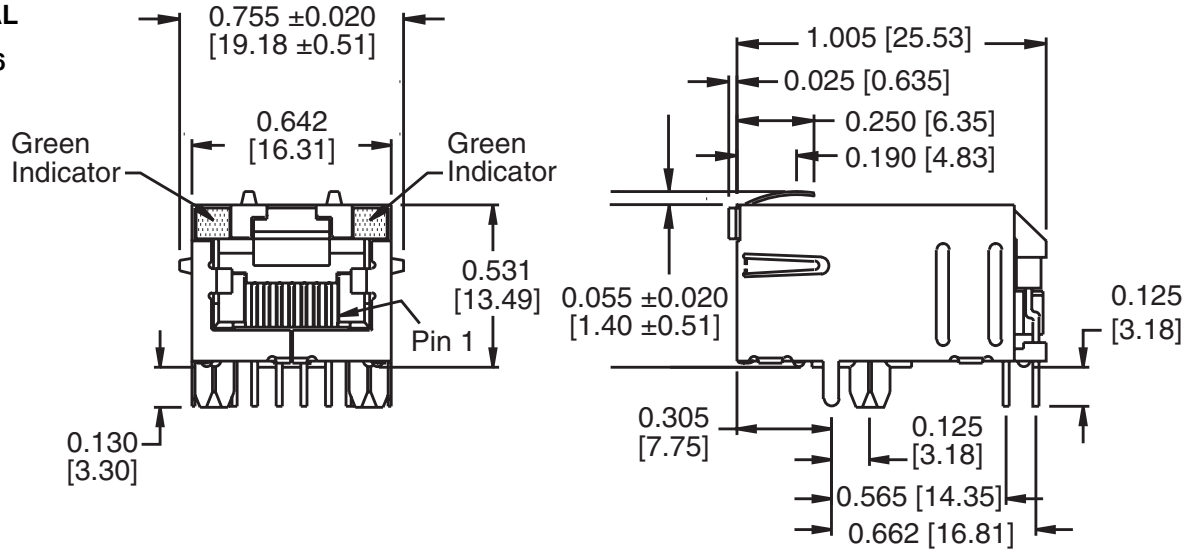
**Available Options**

- Various transformer turns ratios
- Various high voltage capacitor values
- Various LED color combinations

BM01807

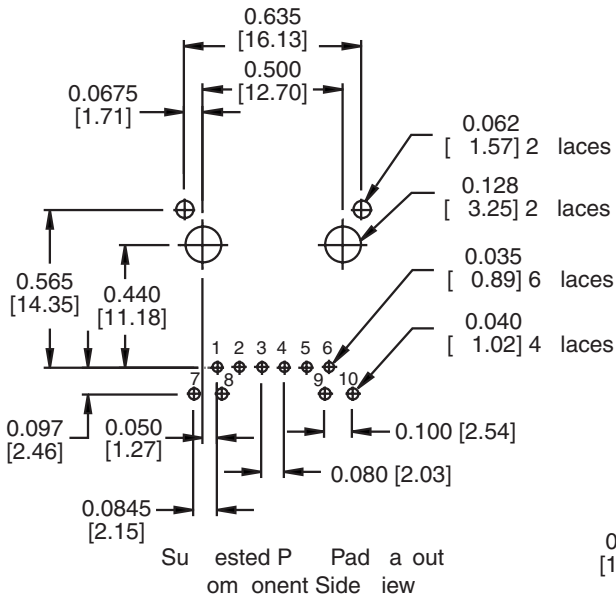
### MECHANICAL

0810-1G1T-06



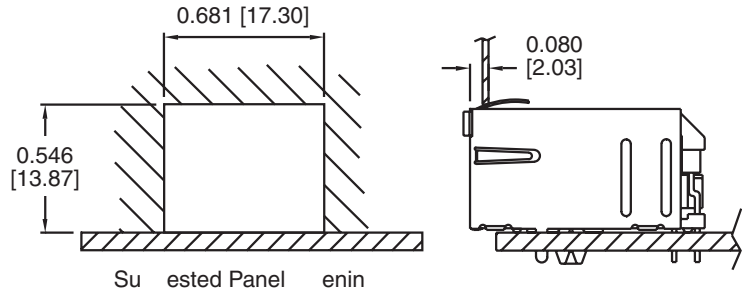
Dimensions are in inches [millimeters].  
Standard dimension tolerance is  $\pm 0.010$  [0.25] unless otherwise noted.

### PAD LAYOUT



### Notes

- Plastic housing: hermetic laminate material 94 0
- Contacts: 50 micro inch hard gold
- Pins: tin coated copper wire DI 0.018 [0.46]
- Solderability: Per I Std. 202 method 208
- Metal Shield: in lead plated copper alloy



2008 Bel Fuse Inc. Specifications subject to change without notice. 06.08

### CORPORATE

Bel Fuse Inc.  
206 Lancaster Street  
Preston, PA 17302  
Tel: 717 201 432 0463  
Fax: 717 201 432 9542  
www.beluse.com

### FAR EAST

Bel Fuse Ltd.  
88 Waterloo Street  
Singapore  
Tel: 65 434 852 2328 5515  
Fax: 65 434 852 2352 3706  
www.beluse.com

### EUROPE

Bel Fuse Europe Ltd.  
Preston Technology Centre  
The Quadrant, Suite G7  
Preston, Lancashire PR1 8 DQ  
Tel: 44 1772 556601  
Fax: 44 1772 888366  
www.beluse.com